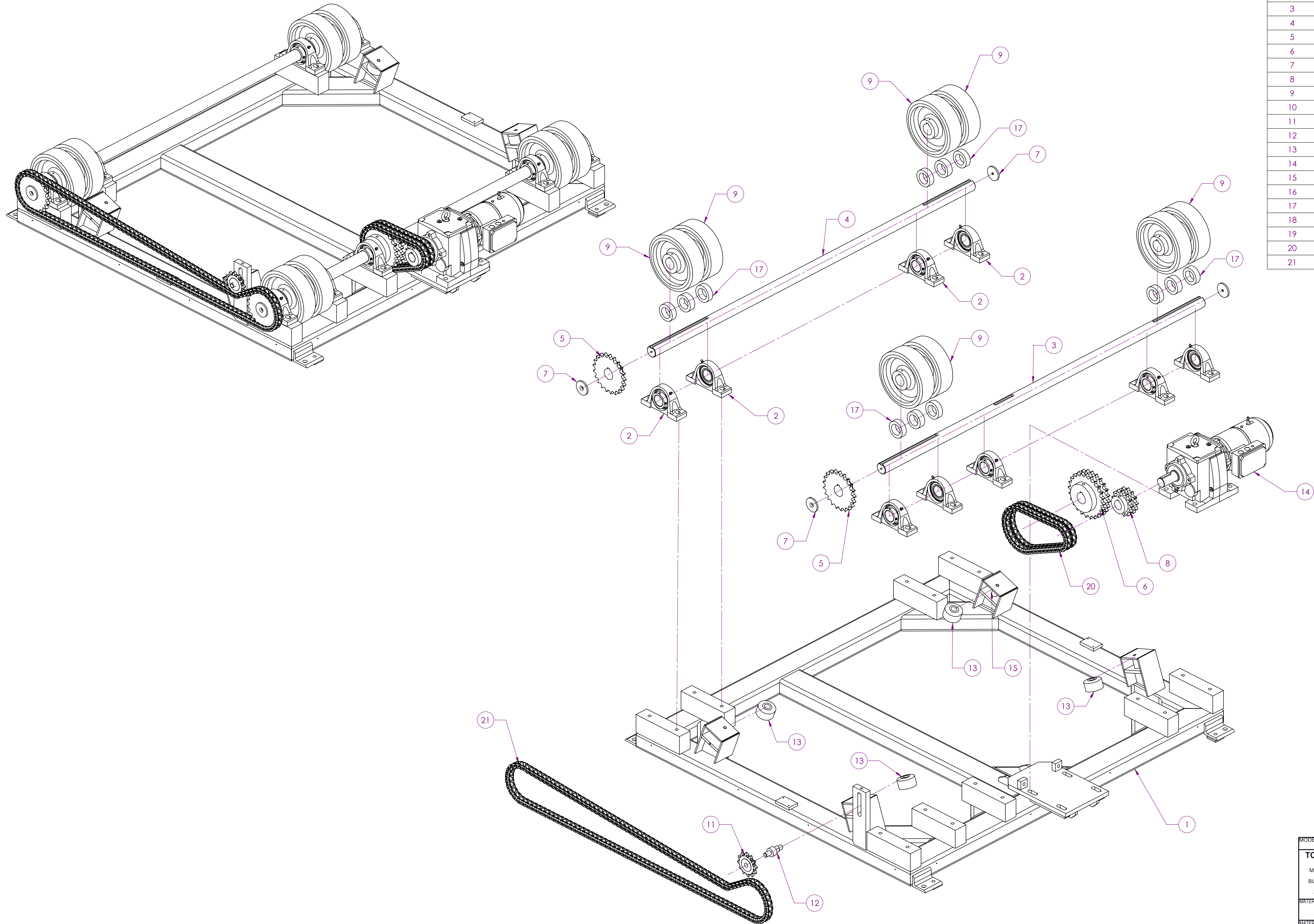


REVISIONS			
E.C. No:	REV:	DESCRIPTION:	MADE BY:



ITEM NO.	PART NUMBER	DESCRIPTION	QTY.
1	ETN-02271	BASE WELDMENT, 7300	1
2	ATN-03303	BEARING, PILLOW BLOCK	9
3	BTN-03433	TURN SHAFT, DRIVE	1
4	BTN-03432	TURN SHAFT, IDLE	1
5	ATN-02140	SPROCKET	2
6	ATN-02101	SPROCKET	1
7	ATN-03278	END WASHER	4
8	ATN-01955	SPROCKET	1
9	ATN-01954	TURN WHEEL	8
10	ATN-01966	AXLE - GUIDE WHEEL	4
11	ATN-01973	TENSIONER SPROCKET	1
12	ATN-01929	TIGHTNER SHAFT	1
13	ATN-06480	GUIDE WHEEL	4
14	ATN-16220	GEAR MOTOR, PARALLEL	1
15	ATN-06806	OILITE BUSHING	4
16	ATN-02520	WHEEL SPACER	4
17	ATN-03376	WHEEL SPACER, OUTSIDE	8
18	ATN-04856	LEVELING PAD	4
19	ATN-01930	TENSIONER BLOCK, GEAR BOX	2
20	320802036	***	1
21	320080128	ROLLER CHAIN, #80-1, 128 PITCH	1

MODEL FILE NAME:	BOM-7JBS001
TOLERANCES: (.XXX)	(UNLESS OTHERWISE SPECIFIED)
MACHINE LOCATIONS:	+.005
CUT LOCATIONS:	+.015
BURN-OUT LOCATIONS:	+.100
ANGULAR TOL:	+.50°
SHEET METAL TOL:	±.030
MATERIAL:	SEE BOM
MATERIAL NUMBER:	***
STOCK SIZE:	***
FINISH:	MACHINE COLOR

Automatán		
<small>PROPERTY OF AUTOMATAN, PLOVER, WISCONSIN. THIS PRINT IS NOT TO BE COPIED OR REPRODUCED WITHOUT WRITTEN PERMISSION BY AUTOMATAN</small>		
BASE ASSY, 73		
BOM-7BS001		
SCALE: 1:8	NAME: ***	DATE: ***
ENGINEERED BY: ***	DRAWN BY: PAL	2/5/13
CHECKED BY: ***		***